



Diaphragm Pump 42 Series

Features & Benefits

- Positive displacement pump
- Can run dry
- Quiet operation
- Industry standard mount pattern
- Demand & By Pass
- Easy connect fittings

Typical Applications

- Marine/RV
- General Industrial
- Automotive

PUMP

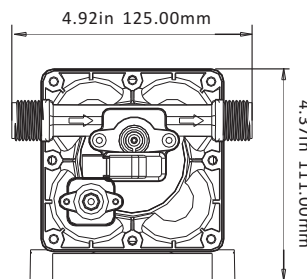
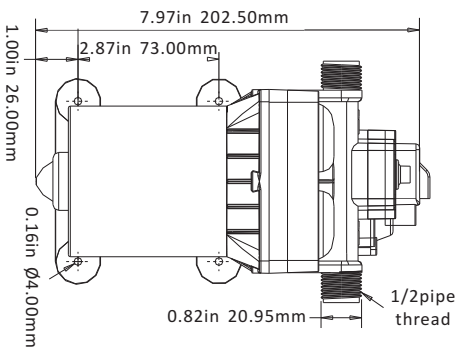
- Type**
4 chamber positive displacement diaphragm pump, self priming, capable of being run dry
- Mode**
demand & by pass
- Liquid Temperature**
140°F (60°C) Max.
- Priming Capabilities**
6 feet (1.8 m) suction lift
- Max Pressure**
55 PSI (3.8 bar)

Inlet/Outlet Ports

- 1/2"-14 MNPT
- Weight**
4.1 lbs (1.90 kg)

MOTOR

- Duty Cycle**
Intermittent
- Leads**
16 AWG, 4.5" long with 2-Pin connector/Leads



STANDARD PUMP CONFIGURATIONS

Model	Switch	GPM/LPM	PSI/BAR	Max Draw(A)	Valves	Diaphragm	Ports	Voltage	Wire Connections
SFDP1-030-055-42	Demand	3.0/11.3	55/3.8	7.5	EPDM	Santoprene	1/2"-14 MNPT	12V	2-Pin/Leads
SFDP2-030-055-42	Demand	3.0/11.3	55/3.8	4.0	EPDM	Santoprene	1/2"-14 MNPT	24V	2-Pin/Leads