



3/4" fitting



## Livewell/Baitwell Pumps

### Features & Benefits

- Built-in dual port option
- Water cooled housing
- Positive snap motors
- Cartridge locking mechanism
- Size: 350, 600, and 800 gph in 12 volt version
- Easy clean snap-lock strainer bases
- 3/4" thread allows for multiple connection options
- Extended long nozzle to accept 3 hose clamps
- 90 degree threaded 3/4" hose-to-barb connector
- Straight threaded 3/4" hose-to-barb connector

### Typical Applications

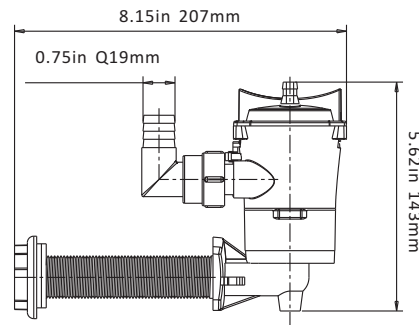
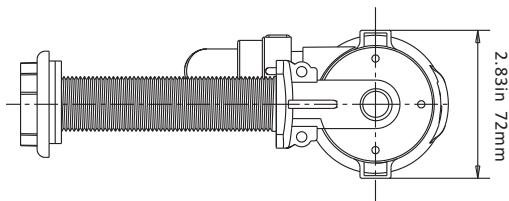
- Marine
- RV & Campers
- Industrial

### PUMP

- Liquid Temperature**  
110°F (43°C) Max.
- Priming Capabilities**  
Not needed flooded suction
- Power**  
3.5 amps max current draw
- Max Pressure**  
Not needed

### MOTOR

- Type**  
Compact, efficient, long life motor
- Leads**  
18 AWG, 1 m long Leads
- Temperature Limits**  
110°F (43°C) Max.
- Duty Cycle**  
Intermittent
- Voltage**  
12v



05 Series

### STANDARD PUMP CONFIGURATIONS

Model	Flow rate	Volts	Current	Head	Wire lead	Outlet Dia	N.W./G.W
SFBP1-G350-05	350 GPH	12V	2.0A	3.0 m	1 m	19 mm/3/4"	0.42/0.58 kg
SFBP1-G600-05	600 GPH	12V	3.0A	3.5 m	1 m	19 mm/3/4"	0.42/0.58 kg
SFBP1-G800-05	800 GPH	12V	3.5A	4.0 m	1 m	19 mm/3/4"	0.42/0.58 kg