



## Diaphragm Pump 36 Series

### Features & Benefits

- Positive displacement pump
- Can run dry
- Quiet operation
- By Pass Pump
- Industry standard mount pattern

### Typical Applications

- Water Treatment/RO
- Beverage/Food Service
- Distillation Equipment
- Agricultural Spraying
- General Industrial
- Automotive
- Marine/RV

### PUMP

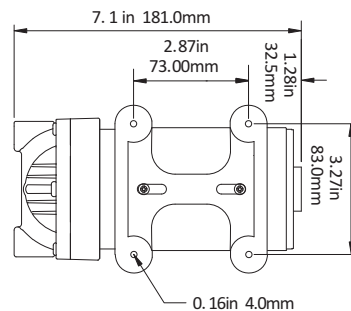
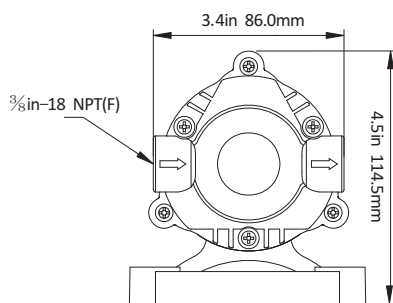
- Type**  
3 Chamber positive displacement diaphragm pump, self priming, capable of being run dry
- Mode**  
By pass
- Liquid Temperature**  
140°F (60°C) Max.
- Priming Capabilities**  
6 feet (1.8 m) suction lift
- Max Pressure**  
120 PSI (8.3 bar)

### Inlet/Outlet Ports

- 3/8" -18 FNPT
- Weight**  
5.2 lbs (2.35 kg)

### MOTOR

- Duty Cycle**  
Continuous
- Leads**  
DC: 16 AWG, 4.5" long with 2-Pin connector/Leads  
AC: 16 AWG, 19.5" long with Leads
- Voltage**  
DC 12v/DC 24v  
AC 110v/AC 220v



### STANDARD PUMP CONFIGURATIONS

Model	Switch	GPM/LPM	PSI/BAR	Max Draw(A)	Valves	Diaphragm	Ports	Voltage	Wire Connections
SFDP1-015-120-36	By Pass	1.5/5.5	120/8.3	10.0	EPDM	Santoprene	3/8" -18 FNPT	12V	2-Pin/Leads
SFDP2-015-120-36	By Pass	1.5/5.5	120/8.3	5.0	EPDM	Santoprene	3/8" -18 FNPT	24V	2-Pin/Leads
SFDP1-018-120-36	By Pass	1.8/7.0	120/8.3	12.0	EPDM	Santoprene	3/8" -18 FNPT	12V	2-Pin/Leads
SFDP2-018-120-36	By Pass	1.8/7.0	120/8.3	6.0	EPDM	Santoprene	3/8" -18 FNPT	24V	2-Pin/Leads
SFDPA1-015-120-36	By Pass	1.5/5.5	120/8.3	0.8	EPDM	Santoprene	3/8" -18 FNPT	110V	Leads
SFDPA2-015-120-36	By Pass	1.5/5.5	120/8.3	0.5	EPDM	Santoprene	3/8" -18 FNPT	220V	Leads